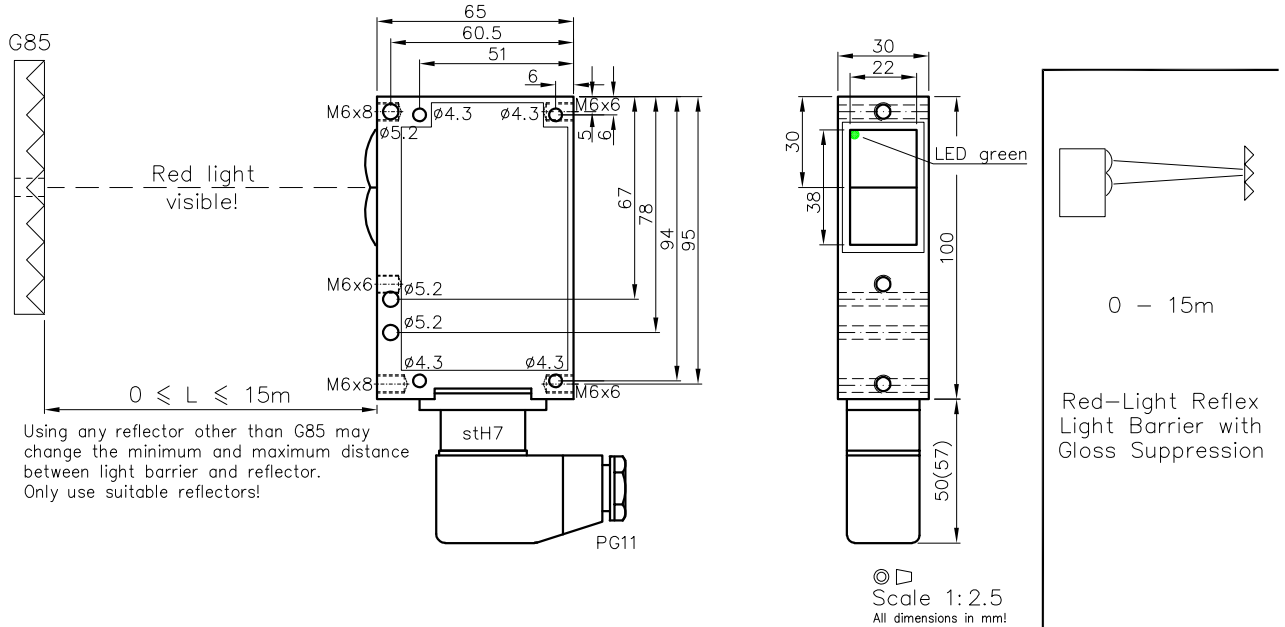


## Red-Light Reflex Light Barrier Typ JP197 with Gloss Suppression

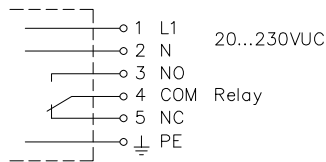


### Technical characteristics of minimum type:

Housing	Al-Cast
Weight	approx. 350g
Protection mode	IP65
Connection	6+1 pin plug stH7
Supply	20...230VUC/~2VA
Output	Relay 240VAC/5A, 120W/1200VA, 1xCh.
Signal mode	brightswitching
Transmitter light	LED 650nm, visible polarization
Gloss suppression	>80kLx
Steady light resistance	Force synchronization
Interference suppress.	approx. 85mm@6m
Light beam diameter	<12ms/Switch transition
Access time	~10/s
Switching rate	LED green
Switch indicator	-30...+65°C (80°C*)
Ambient temperatur	

\*Exceeding the temperature for a short time does not usually impair functioning

### Connection diagramm:



JP197

Order no.:

1043

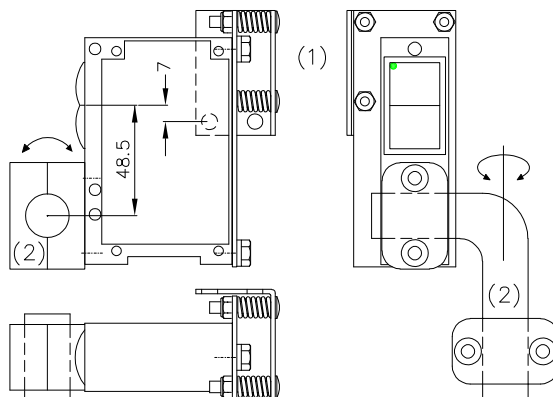
### Features:

Signal mode darkswitching

### Accessories:

- Reflectors
- Diaphragm
- Adjustment flange JF19H(1)
- Elbow tube adjustment JR19(2)
- Anti heat shield & anti dust tube (K)JT19

### Adjustment assemblies:



### Diaphragm:

