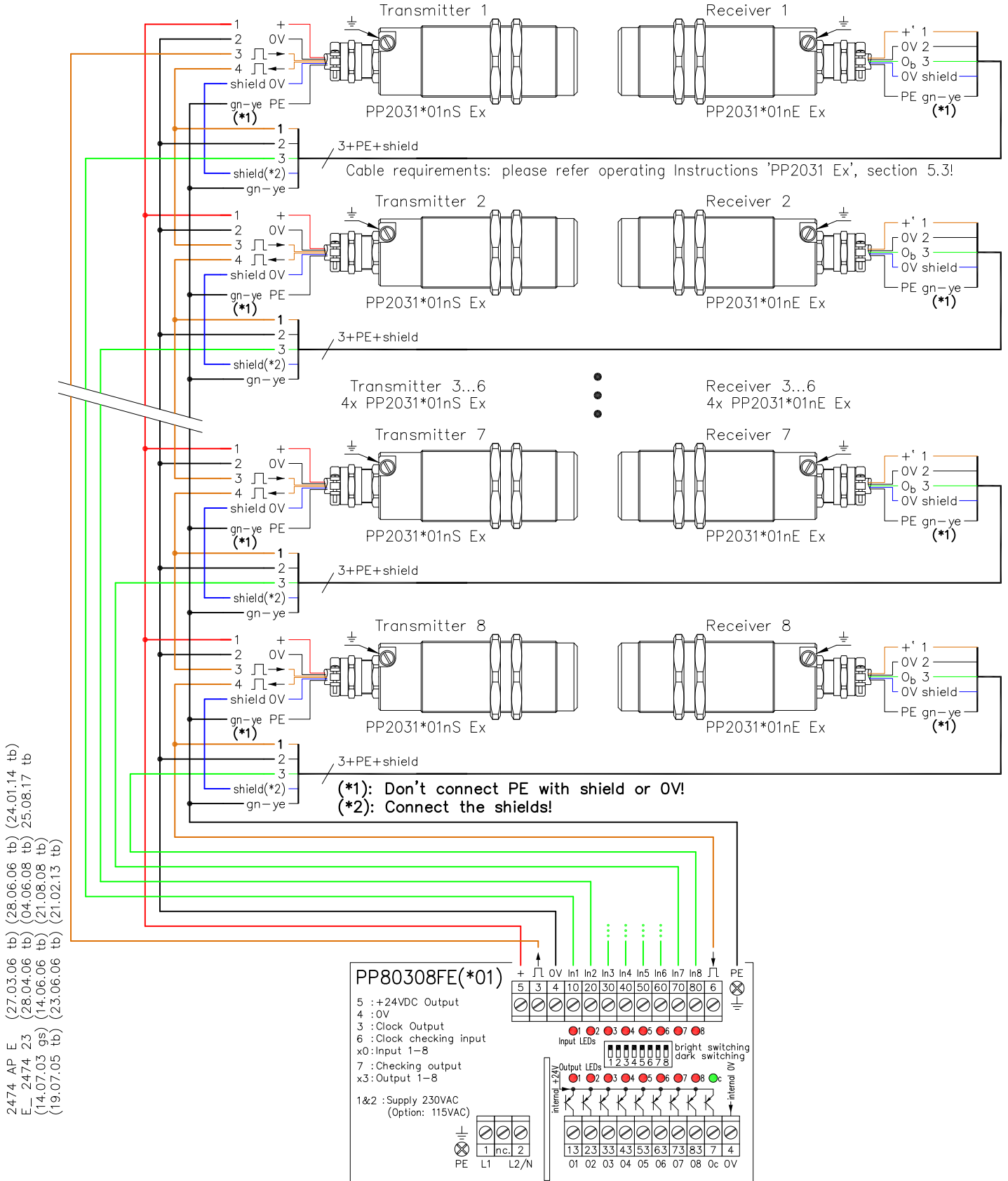


Wiring diagram for Control unit Type PP80308FE(*01) and 8 Light Barrier Type PP2031*01n Ex



2474 AP E (27.03.06 tb) (28.06.06 tb) (24.01.14 tb)
 E_2474_23 (28.04.06 tb) (04.06.08 tb) 25.08.17 tb
 (14.07.03 gs) (14.06.06 tb) (21.08.08 tb)
 (19.07.05 tb) (23.06.06 tb) (21.02.13 tb)

The design and make of the devices and their electronics are intellectual property of the company "Fotoelektrik Pauly GmbH". Internal circuit diagrams can, for copyright reasons, not be given therefore. Subject to technical alterations. Errors excepted. The reprinting of this data sheet or the copying of extracts from it are allowed only with the approval of the "Fotoelektrik Pauly GmbH" and with an indication of the sources used. Infringements are punishable by law.