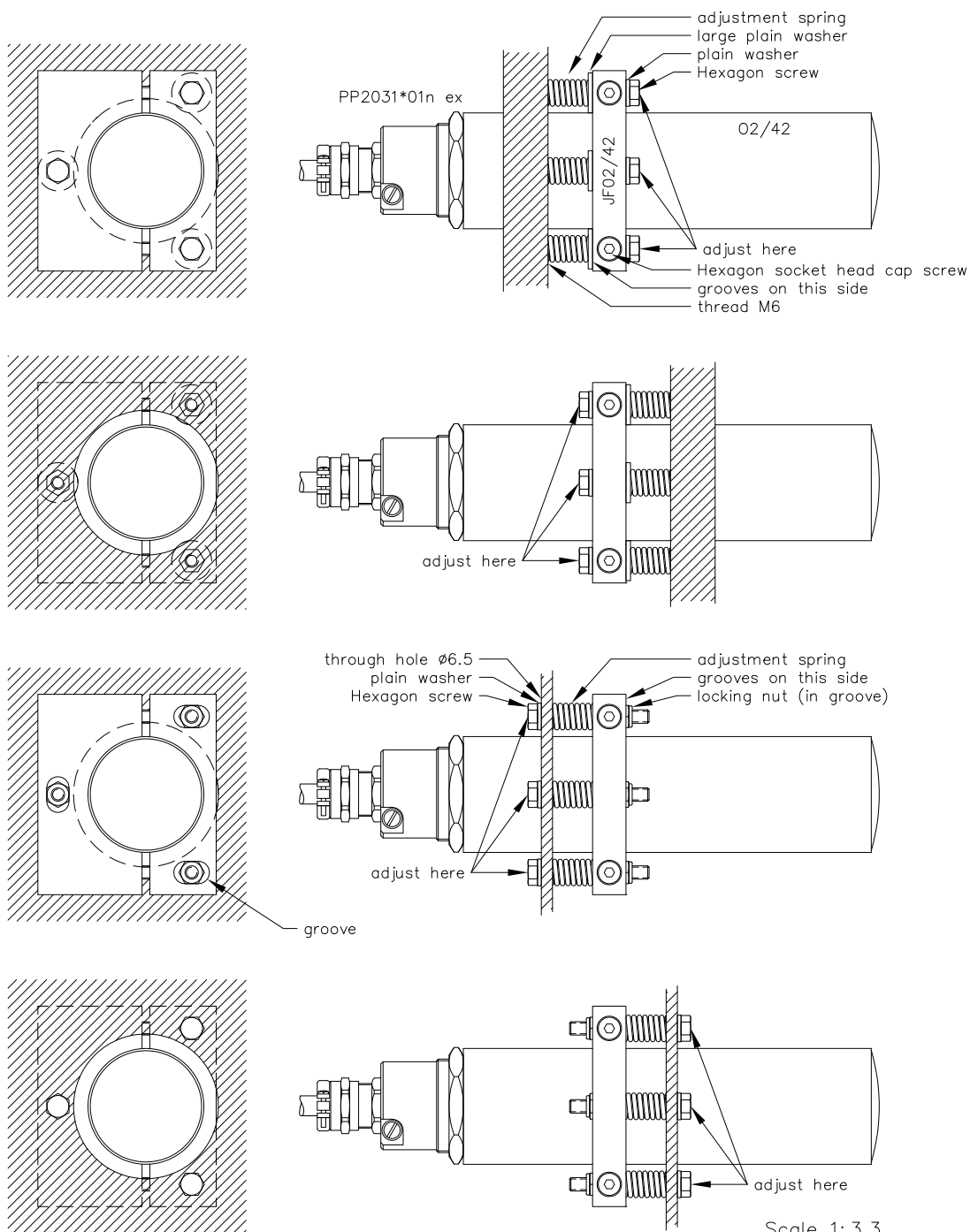


## Mounting/Fixing Figures

### Light Barrier PP2031(\*01)n ex with Optic-Tube O2/42

### and Adjustment plate JF02/42



Scale 1:3.3  
All dimensions in mm!

4139 WE 24.08.17 tb  
E\_4139\_29  
(03.05.06 tb)  
(21.11.08 tb)