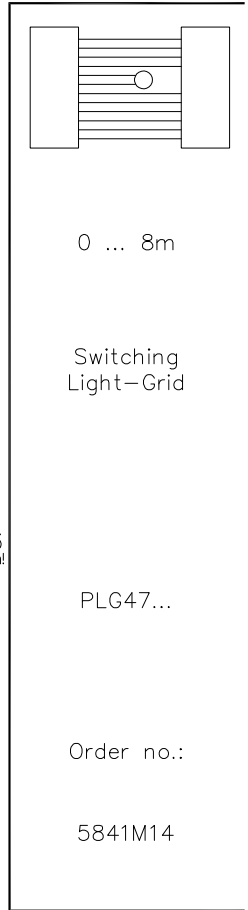
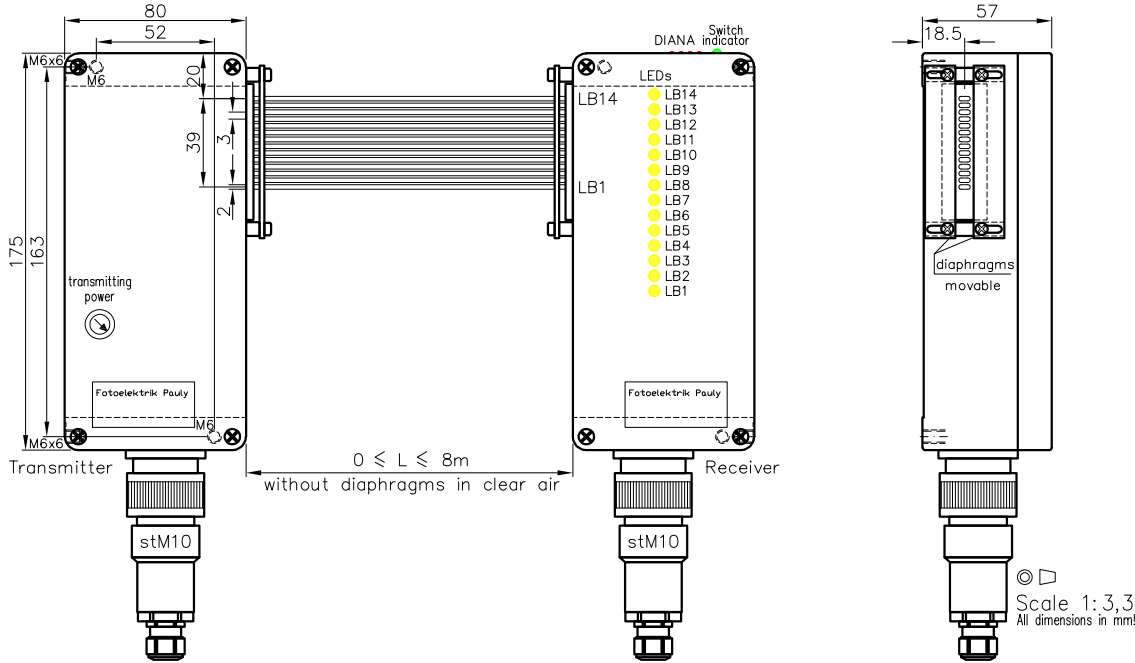


Switching Light-Grid Type PLG4761210216/39/3/60x30/-/20/14



Technical Characteristics:

Housing	Al Cast
Weight	T. & R. 2x approx. 900g
Control unit	approx. 3800g with conn.-cable
Protection mode	IP65
Supply	24VDC/~600mA without load
Connection	terminal block in control unit
Operation mode	Master counter in control unit
Resolution	≥ 5.5mm
Steady light resistance	> 80kLx
Interference suppression	forced synchronization
Access time	≥12ms/switch transition
Output	pnp 60mA s.c.-prot., e2
Signal mode	bright-/darkswitching, selectable
Switching rate	electr.: approx. 40/s; Relay: 10/s
Time delay	0-1s, switching-on-off-delay, separately adjustable, z1
Switch indicator	LEDs in receiver & control unit
Level indicator	DIANA in receiver, i
Transmitter light	850...880nm; invisible
Ambient temperature	-25...+60°C

Accessories:

Control unit PLG4761210216/39/3/60x30/-/20/14ST with 2x heat resistant connection cable, 5m & 20m

Special Design:

Supply	230V, 115V, 42...48V or 24VAC
Output	Optocoupler 60V/50mA, e1 Relay 250VAC/10A, 100W, 1xCH, R
Access time	"a": ≥3ms/switch transition
Switching rate	"q": electr.: approx. 300/s; Relay: 10/s
Test function	switch off transmitter, potential free contact, ta

Heat-protected optical system, p1
If using cooling water flange, then milled wall, y

Special Design (optional):

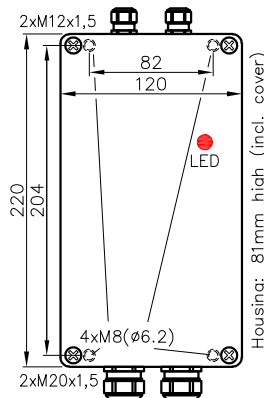
Connection cable up to 20m
Heavy adjustment flange R27SH
Cooling water flange KW27

Note:

Please use supplement "E_584128" for adjustment.

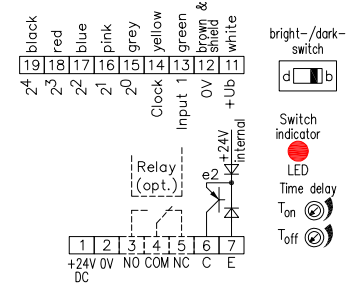
Control unit PLG476.../...ST:

Dimension sketch:



Scale 1:5
All dimensions in mm!

Connection diagram:



5841 DE M14 (14.03.05 tb) 09.03.21 TBR
E_5841_1 E (19.01.07 tb)
(01.07.03 gs) (26.09.07 tb)
(01.12.03 gs) (03.07.14 tb)